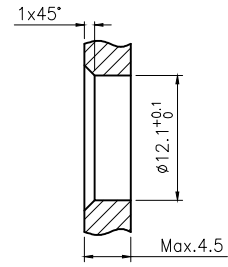
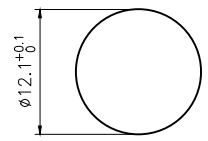
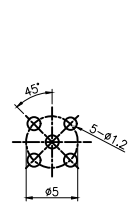
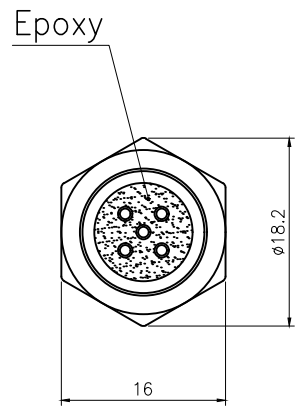
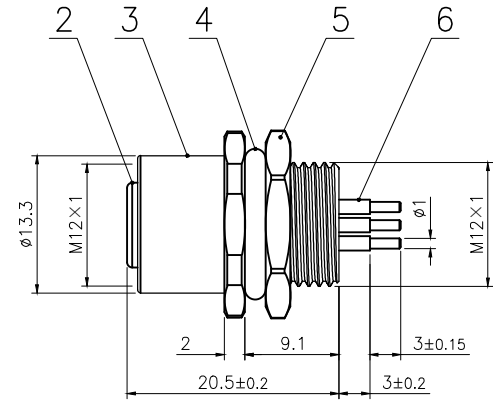
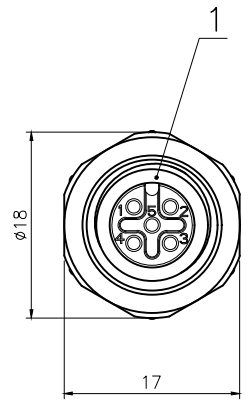
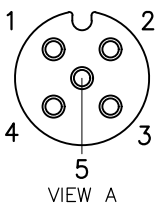


Rev.	Change Description	ECN #	Date



RECOMMENDED
P.C.B LAYOUT

BOARD END HOLE OPENING SIZE

Technical specifications:		Materials:	
Coupling:	Threaded coupling	Shell material:	Brass nickel plated
Termination:	Dip solder	Contact material:	Phosphor Copper Gold plated
Coding:	A	Insert material:	PA66+GF UL94 black
Pollution degree:	3	Sealing:	NBR
Temperature range:	-40°C ~ +80°C		
Degree of protection:	IP67		
Mating cycles:	≥500		
Rated voltage:	60V AC/DC		
Rated current:	4A		
Contact resistance:	≤5 mΩ		
Insulation resistance:	≥100 MΩ		
All materials are RoHS compliant			

6	M12 Female contact pin	Phosphor Copper	Gold plated	pc	5
5	Hexagon nut M12X1	Brass	nickel plated	pc	1
4	M12 Shell O ring Ø12X2	NBR	/	pc	1
3	M12 Panel front mount female socket shell	Brass	nickel plated	pc	1
2	M12 Female Insulator (5 core)	Nylon	/	pc	1
1	M12 Insulator O ring Ø9XØ6X1.5	NBR	/	pc	1

No.	Specification	Material	Treat	Unit	Q'ty
GENERAL TOLERANCE (UNLESS SPECIFIED)					
≤10	±0.1				
<10~≤20	±0.2				
<20~≤50	±0.5				
Angle ±1°					
THIRD ANGLE					
DWN DATE		2022.7.18			
W.M					
CHK DATE					
APVD DATE		TITLE M12 Female Front Mount Socket 5 core (PCB.Screw M12×1)			
UNIT MM		PART NO 120058-05A000000			
REV A		DRAWING NO M12-CB3-S5-M12X1			
SIZE A4		SHEET 1 OF 1			